

Spirit[®] HE

High Power, High Pulse Energy Industrial Femtosecond Lasers



The Spirit HE industrial femtosecond laser product line delivers high energy, and high average power for applications requiring reliable and robust 24/7 operation. With direct diode pumped technology developed by Spectra-Physics, Spirit's innovative and simple architecture offers truly unique performance.

The Spirit platform offers impressive versatility to serve the needs of industrial and scientific customers. High average power (>30 W) and high pulse energy (>120 μ J) enable femtosecond micromachining applications with high throughput and excellent cost-performance. Pulse energy and repetition rate adjustability (single shot – 1 MHz) make Spirit HE the ideal source for medical device manufacturing, material ablation and high aspect ratio drilling. The integrated pulse picker available in all models offers full control of the laser output with single pulse selection and fast power control via an analog input signal. This simplifies the integration of the lasers. Optionally, the available burst mode offers higher ablation efficiencies and therefore higher throughput.

The optional, high efficiency Second Harmonic Generation (SHG) module is integrated in the laser head and enables the fabrication of smaller and more accurate structures. A pulse energy of >60 μ J at 520 nm is available. The fundamental and SHG output beams are collinear at the laser exit for easy integration and beam delivery. The end user can easily switch between the 1040 nm and 520 nm outputs using either the communication interface (TCP/IP) or the user control software.

The Spirit HE Advantage

- High average power (>30 W) and high pulse energy (>120 μ J)
- User adjustable repetition rate (single shot – 1 MHz)
- Integrated pulse-picker with analog-in triggering
- Integrated SHG module (optional)
- User adjustable pulse duration between 400 fs and 10 ps (optional)
- Superb beam pointing stability (<20 μ rad for 100 hours)
- Fully automated and computer controlled
- Proven, dependable performance for 24/7 operation

Applications

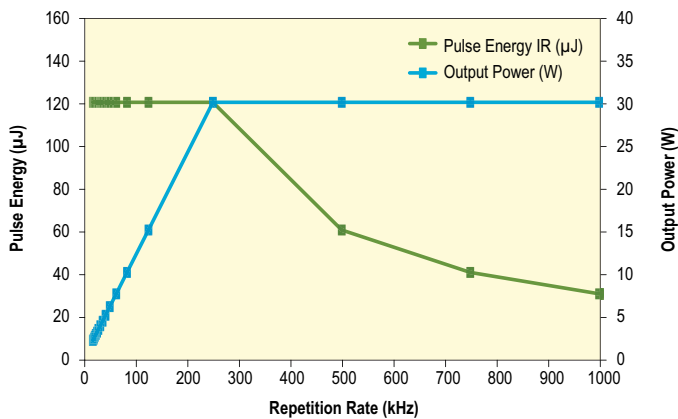
- Femtosecond micromachining
- Material processing
- Medical device fabrication
- Time resolved femtosecond spectroscopy
- Optical parametric amplifier pumping



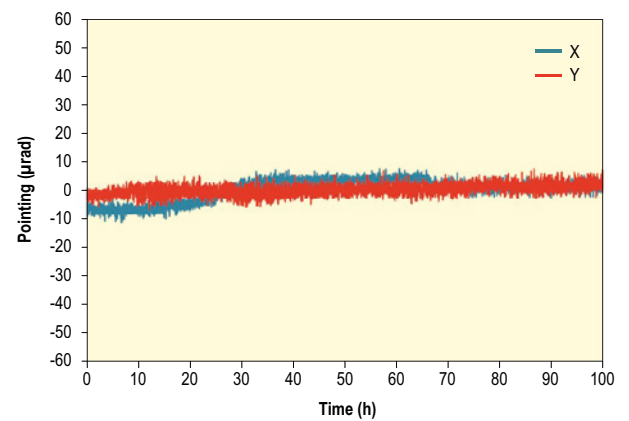
Spirit HE

Fully automated and computer controlled, Spirit is manufactured with high reliability and quality in mind. Spirit's design is optimized for easy integration and for superb power and beam pointing stability (typically $20 \mu\text{rad}$ for 100 hours) during 24/7 operation, ensuring high precision and reproducibility in every application.

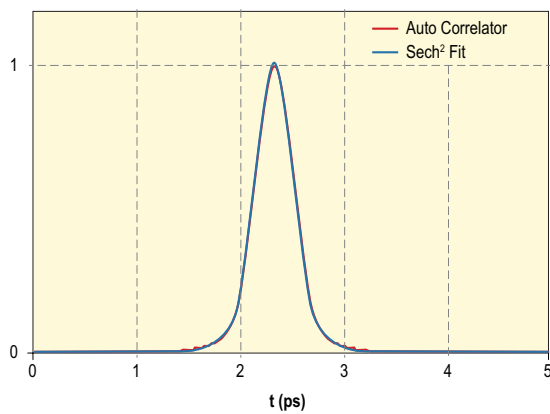
Pulse Energy and Output Power vs. Repetition Rate¹



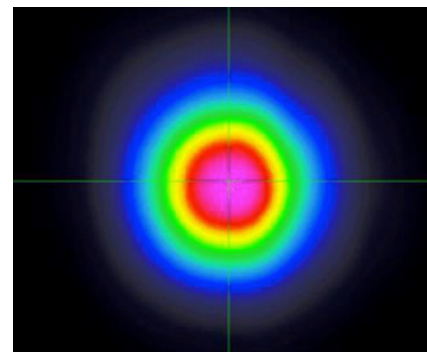
Beam Pointing Stability over 100 hours¹



Pulse Duration and Pulse Shape fitted with the Sech² Function¹



Spirit HE 1040-30: Beam Profile¹



1. Typically measured performance; not a guaranteed or warranted specification.

Spirit HE Specifications^{1, 2}

	Spirit HE 1040-16	Spirit HE 1040-16-SHG	Spirit HE 1040-30	Spirit HE 1040-30-SHG
Output Characteristics				
Wavelength	1040 nm ±8 nm			
Output Power	>16 W		>30 W	
Pulse Energy	>120 µJ at 100 kHz		>120 µJ at 250 kHz	
Wavelength (SHG)	NA	520 ±3 nm	NA	520 ±3 nm
Output Power (SHG)	NA	>6 W at 100 kHz >8 W at 200 kHz	NA	>15 W at 250 kHz
Max Pulse Energy (SHG)	NA	>60 µJ at 100 kHz >40 µJ at 200 kHz	NA	>60 µJ at 250 kHz
Repetition Rate ¹³	100 kHz, 200 kHz or 1 MHz		250 kHz or 1 MHz	
Pulse Selection	Integrated pulse picker (AOM)			
Pulse Width	<400 fs			
Pulse Width Tunability ^{4,5}	<400 fs to 10 ps at 1040 nm			
Burst Mode ^{6,7,8}	>120 µJ/burst at 1040 nm, up to 14 sub-pulses			
Power Stability	<1% rms over 100 hours			
Pulse-to-Pulse Stability	<2% rms			
Spatial Mode	TEM ₀₀ (M ² <1.2)			
Beam Diameter at exit	2.5 mm ±0.5 mm			
Beam Divergence, full angle	<1 mrad (1040 nm); <0.5 mrad (520 nm)			
Pre-Pulse Contrast Ratio	>250:1			
Polarization	Horizontal			
Cold Start Time	<30 min			
Warm Start Time	<15 min			
Environmental Specifications				
Operating Temperature	18–30°C (64–86°F)			
Relative Humidity	<65%, non-condensing			
Cooling Requirements				
Laser Head	Water cooled			
Power Supply	Air cooled			
Utility Requirements				
Voltage	Laser controller (including chiller): 100-240 V, 50 Hz / 60 Hz			
Current	<15 A			
Laser Head Physical Characteristics				
Dimensions (L x W x H)	32.5 x 14 x 6.5 in (875 x 340 x 160 mm)			
Weight	155 lb (70 kg)			
Rack with Power Supply and Chiller Physical Characteristics				
Dimensions (L x W x H)	23.6 x 22.0 x 29.4 in (600 x 560 x 746 mm)			
Weight	176 lb (80 kg)			

1. Due to our continuous product improvement program, specifications are subject to change without notice.

2. Spirit HE is a Class IV – High-Power Laser, whose beam is, by definition, a safety and fire hazard. Take precautions to prevent exposure to direct and reflected beams. Diffuse as well as specular reflections can cause severe skin or eye damage.

3. Additional, pre-calibrated repetition rates upon request; please contact Spectra- Physics. For Spirit HE 16 and Spirit HE 30, the maximum pre-calibrated repetition rate is 1 MHz.

4. Pulse duration tunability is optional; if implemented, pulse duration is software tunable.

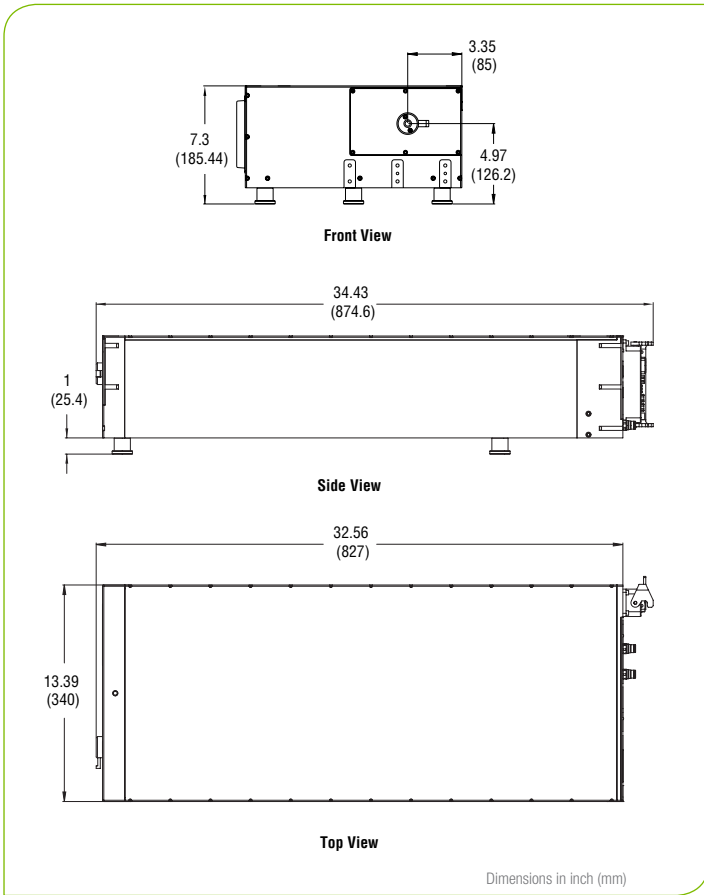
5. Conversion efficiency for SHG module will be lower for longer pulse width. Conversion efficiency for SHG is not specified for longer pulse width.

6. Burst mode operation is optional; if implemented the number of pulses per burst (<14 pulses) can be selected in GUI.

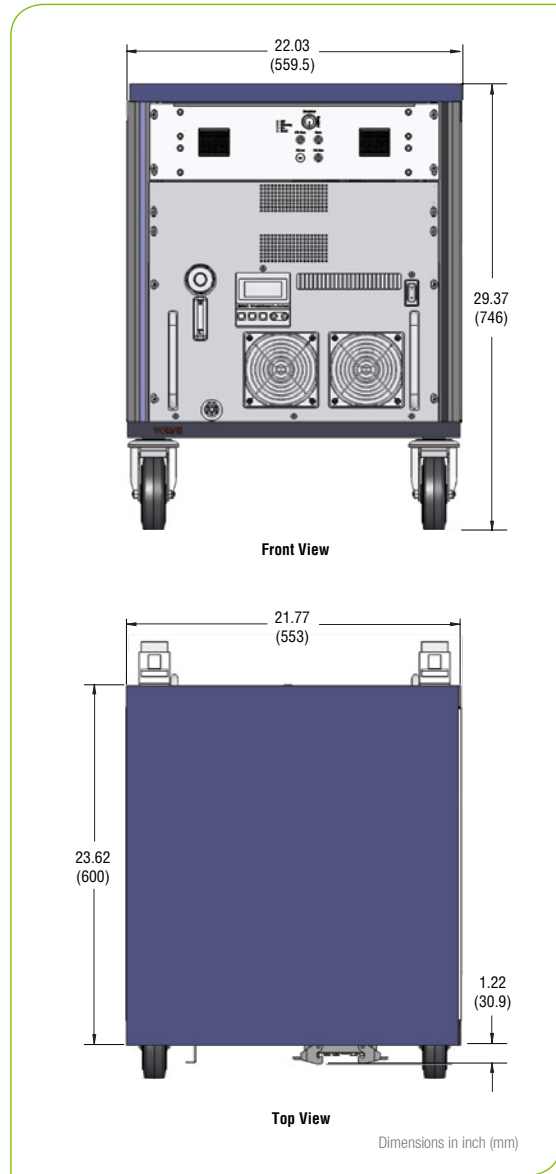
7. Pre-calibrated repetition rates are limited to ≤ 500 kHz for Spirit HE lasers with the burst mode option.

8. Conversion efficiency for SHG module will be lower in the burst mode operation. Conversion efficiency for SHG is not specified for the burst mode operation.

Spirit HE



Spirit HE Dimensions



Rack with Power Supply and Chiller Dimensions



www.spectra-physics.com

3635 Peterson Way, Santa Clara, CA 95054, USA
 PHONE: 1-800-775-5273 1-408-980-4300 FAX: 1-408-980-6921 EMAIL: sales@spectra-physics.com

Belgium	+32-(0)800-11 257	belgium@newport.com	Korea	+82-31-8021-1600	korea@spectra-physics.com
China	+86-10-6267-0065	info@spectra-physics.com.cn	Netherlands	+31-(0)30 6592111	netherlands@newport.com
France	+33-(0)1-60-91-68-68	france@newport.com	Singapore	+65-6664-0040	sales.sg@newport.com
Germany / Austria / Switzerland	+49-(0)6151-708-0	germany@newport.com	Taiwan	+886-3-575-3040	sales@newport.com.tw
Japan	+81-3-3556-2705	spectra-physics@splasers.co.jp	United Kingdom	+44-1235-432-710	uk@newport.com